



# Bidirectional Sound Projector

LBC 3430/03



**BOSCH**

**en**    Installation Note



# 1 Installation

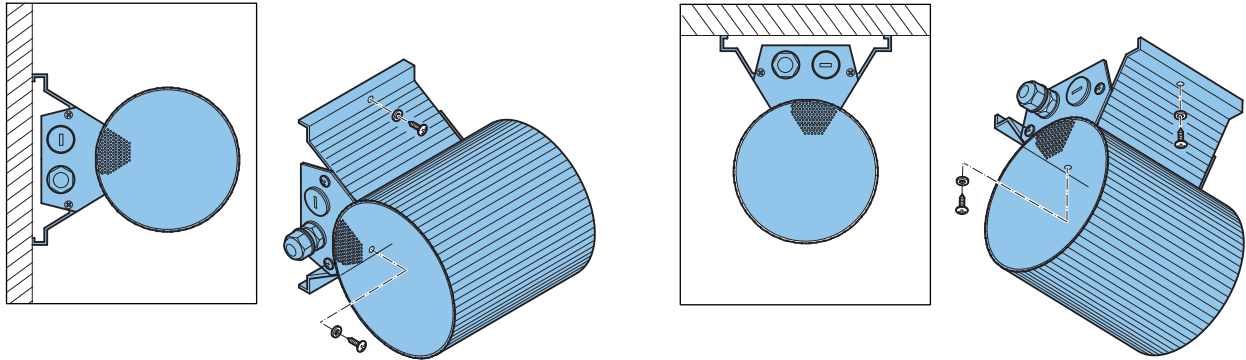


Fig. 1

Fig. 2

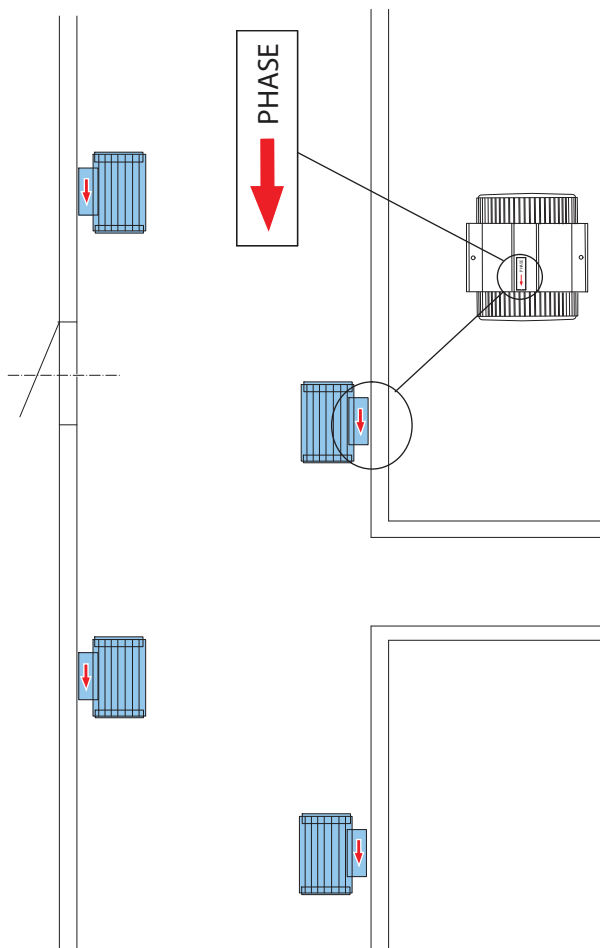


Fig. 3

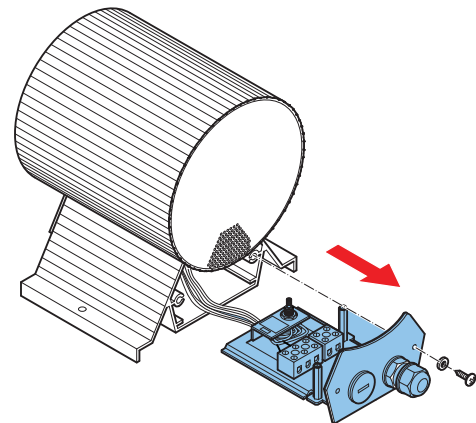


Fig. 4

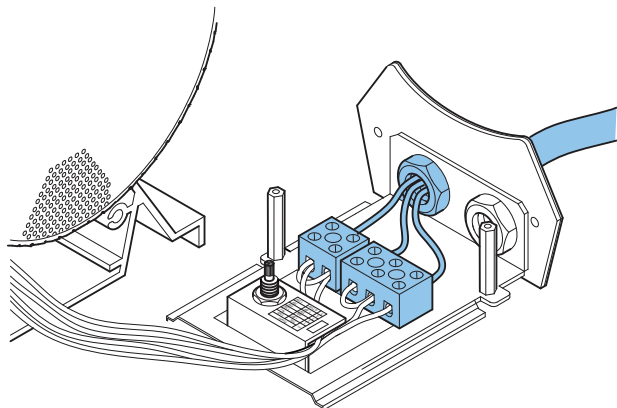


Fig. 5

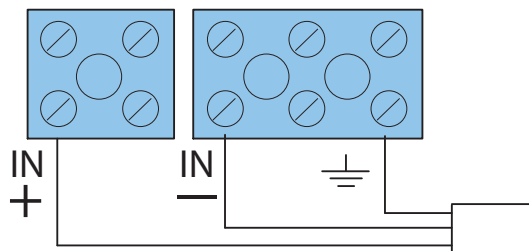


Fig. 6

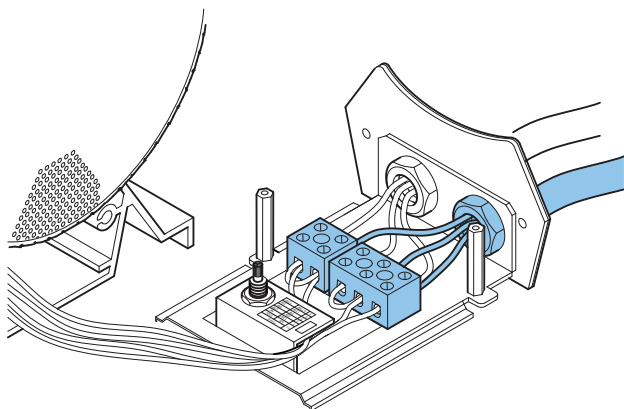


Fig. 7  
Optional

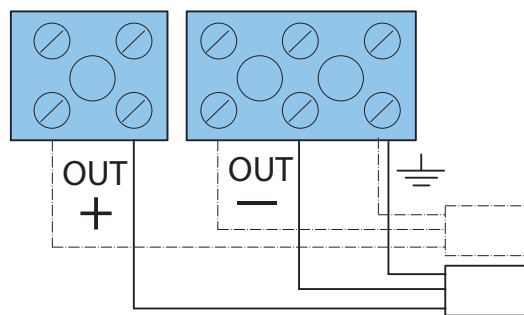


Fig. 8  
Optional

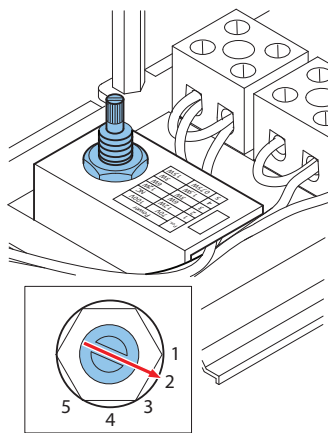


Fig. 9

Pos.	Power	
	70V	100V
1	12W	NC
2	6W	12W
3	3W	6W
4	1.5W	3W
5	0.75W	1.5W

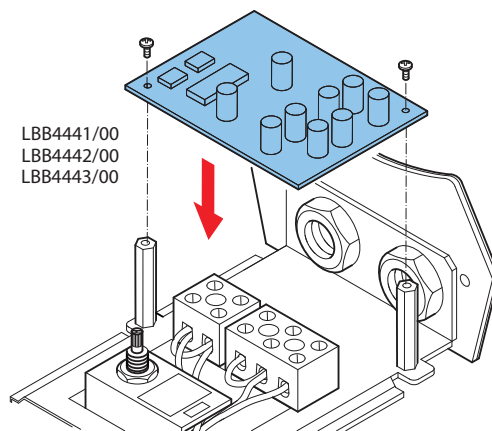
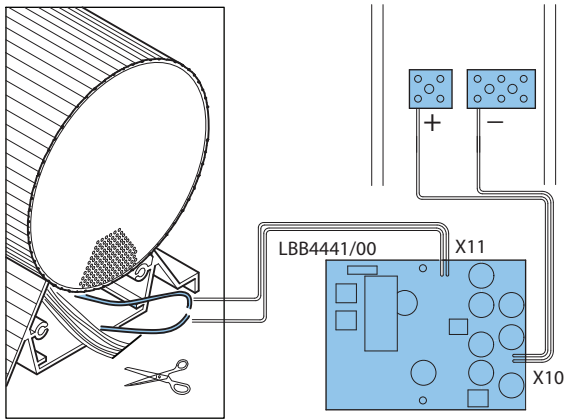
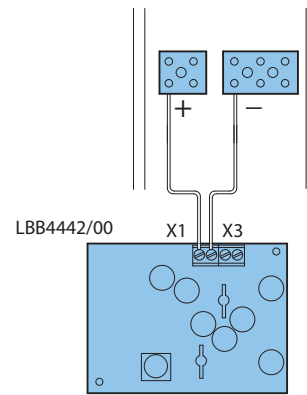


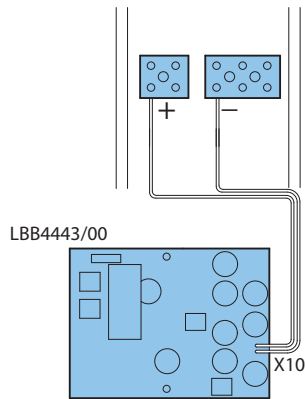
Fig. 10  
Optional



**Fig. 11**  
**Optional**



**Fig. 12**  
**Optional**



**Fig. 13**  
**Optional**

## 2 Technical data

### 2.1 Electrical

Maximum power	18 W		
Rated power (PHC)	12 W		
Power tapping	12 / 6 / 3 / 1.5 W (0.75 W, 70 V only)		
Sound pressure level at 12 W / 1 W (1kHz, 1 m)	104 dB / 93 dB (SPL)		
Sound pressure level at 12 W / 1 W (1kHz, 4 m)	87 dB / 78 dB (SPL)		
Opening angle at 1 kHz / 4 kHz (-6 dB)	158 ° / 58 °		
Effective frequency range (-10 dB)	190 Hz to 20 kHz		
Rated voltage		70 V	100 V
Rated impedance	12 W	416 Ohm	833 Ohm
	6 W	835 Ohm	1667 Ohm
	3 W	1670 Ohm	3333 Ohm
	1.5 W	3340 Ohm	6667 Ohm
	0.75 W	6682 Ohm	N.A.

\* Technical performance data acc. to IEC 60268-5

### 2.2 Mechanical

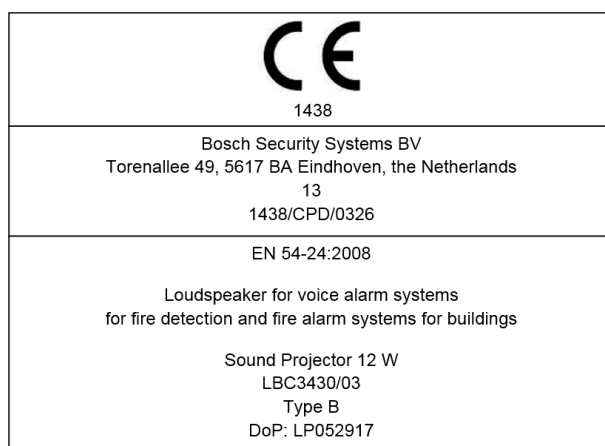
Dimensions (D x L)	146 x 186 mm (5.7 x 7.3 in)
Weight	3.5 kg (7.72 lb)
Color	White (RAL 9010)
Material	Aluminum
Connection	Screw terminal block
Cable diameter	6-12 mm (0.24-0.47 in)

## 2.3 Environmental conditions

Operating temperature	-25 °C to +55 °C (-13 °F to +131 °F)
Storage and transport temperature	-40 °C to +70 °C (-40 °F to +158 °F)
Relative humidity	<95%
Water/dust protected	According to EN 60529 IP55

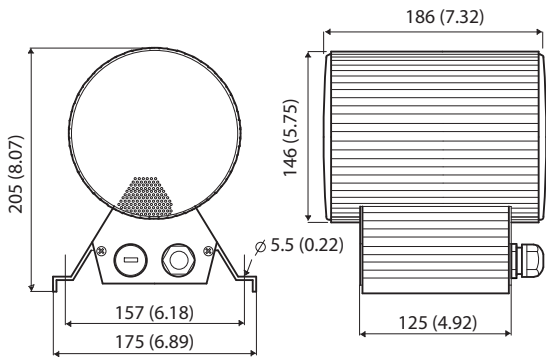
**Note:**

- The specification data is measured in an anechoic chamber, free field
- The reference axis is perpendicular to the center point of the front grille
- The reference plane is perpendicular to the center of the reference axis
- The horizontal plane is perpendicular to the center of the reference plane

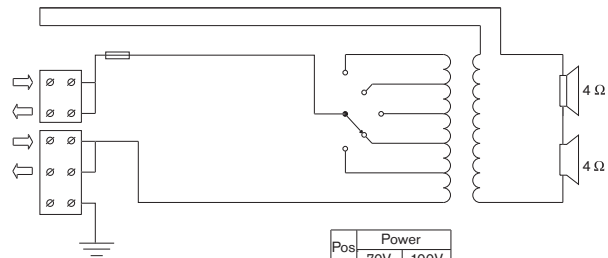


**Figure 2.1: CE label**

## 2.4 Additional technical data

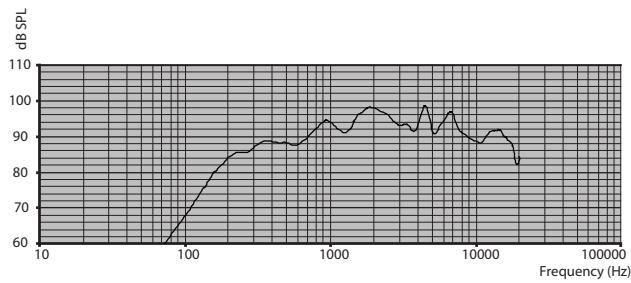


Dimensions mm (in)

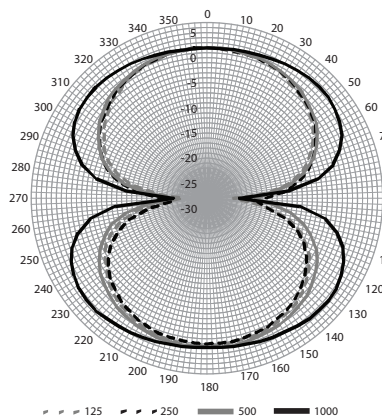


Pos	Power	
	70V	100V
1	12W	NC
2	6W	12W
3	3W	6W
4	1.5W	3W
5	0.75W	1.5W

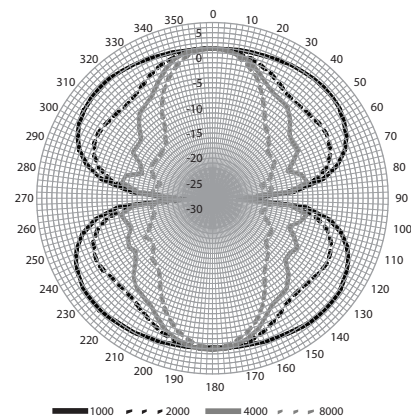
Circuit diagram



Frequency response



Polar diagram (measured with pink noise)



Polar diagram (measured with pink noise)





**Bosch Security Systems B.V.**

Torenallee 49

5617 BA Eindhoven

Netherlands

**[www.boschsecurity.com](http://www.boschsecurity.com)**

© Bosch Security Systems B.V., 2017