

**Bosch Security Systems B.V.**

Kapittelweg 10  
4800 RA Breda  
The Netherlands

**[www.boschsecurity.com](http://www.boschsecurity.com)**

© Bosch Security Systems B.V., 2010



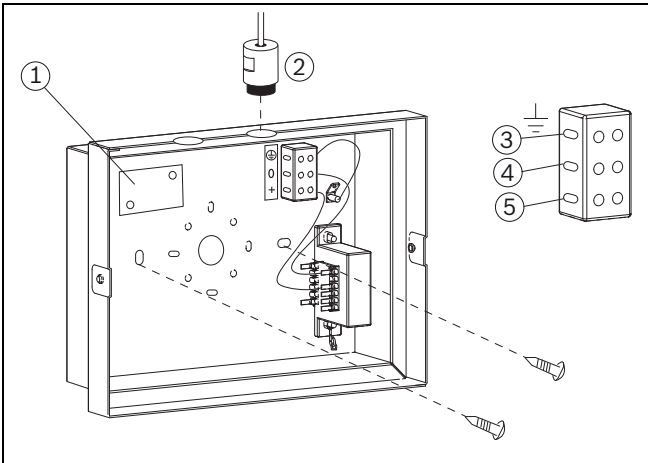
# Metal Cabinet Loudspeaker

LBC 3018/01



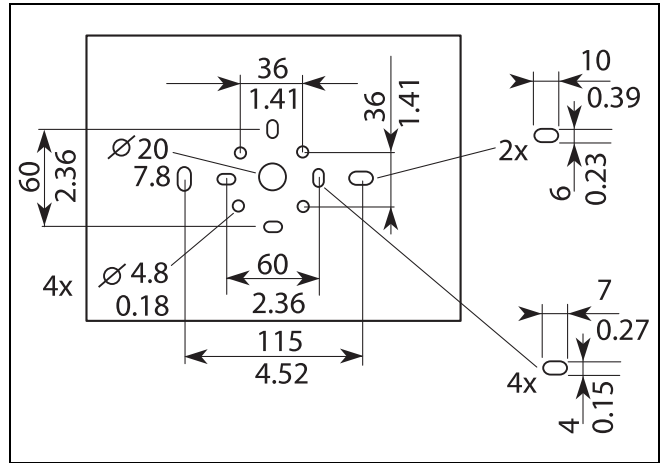
**BOSCH**

en Installation Note

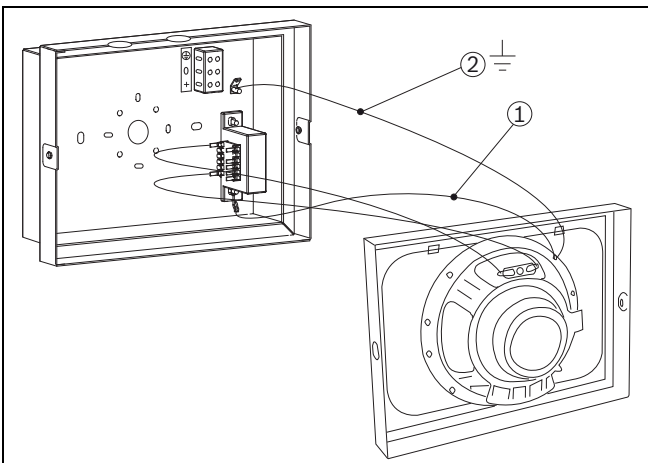


1- Line/Loudspeaker Supervision Boards  
(LBB4441, LBB4442, LBB4443)

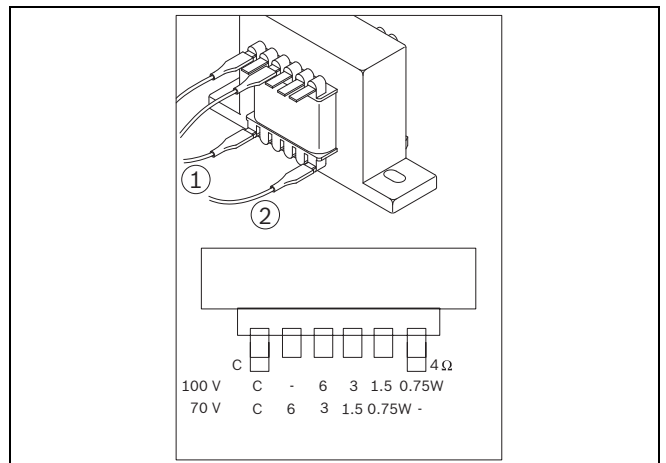
- 2 - Cable gland PG13 (not supplied)
- 3 - Ground
- 4 - Common
- 5 - Phase



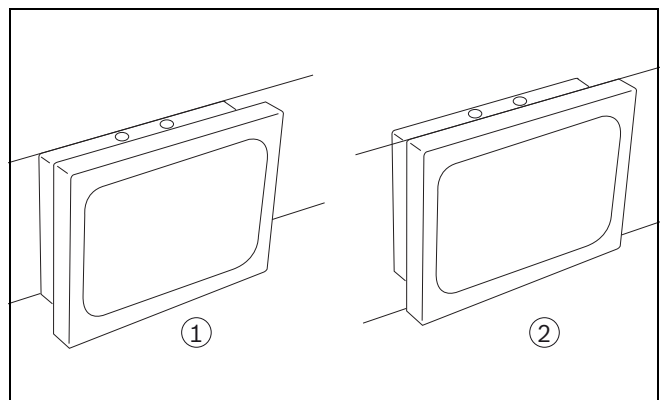
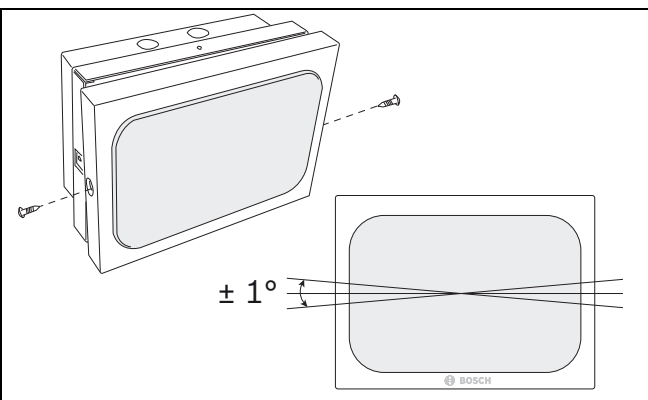
Mounting dimensions in mm (inch)



- 1 - Safety cord
- 2 - Ground wire



- 1 - Common
- 2 - 4 ohm



- 1 - Surface mounted
- 2 - Recessed mounted

**Electrical**

Maximum power  
 Rated power (PHC)  
 Power tapping  
 Sound pressure level at 6W/1W (at 1kHz, 1m)  
 Effective frequency range (-10dB)  
 Opening angle (at 1kHz/4 kHz, -6dB)  
 Rated voltage  
 Rated impedance  
 Safety

9 W  
 6 W  
 6 / 3 / 1.5 / 0.75 W  
 102 dB / 94 dB (SPL)  
 150 Hz to 20 kHz  
 120° / 55°  
 70 / 100 V  
 835 / 1667 ohm  
 According to EN 60065

**Mechanical**

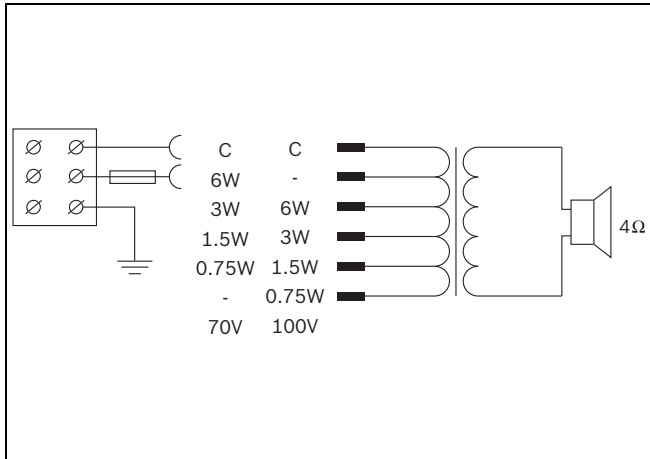
Dimensions (H x W x D)  
 Weight  
 Connector  
 Color  
 Speaker size  
 Magnet weight

195 x 260 x 80 mm (7.68 x 10.24 x 3.15 in)  
 2.6 kg (5.78 lb)  
 3-pole screw terminal block  
 White (RAL 9010)  
 152.4 mm (6 in)  
 150 g (5.3 oz)

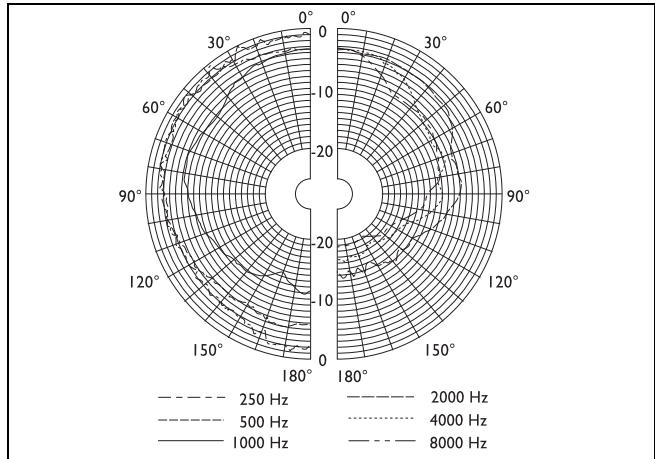
**Environmental**

Water/dust protected  
 Operating temperature  
 Storage temperature  
 Relative humidity

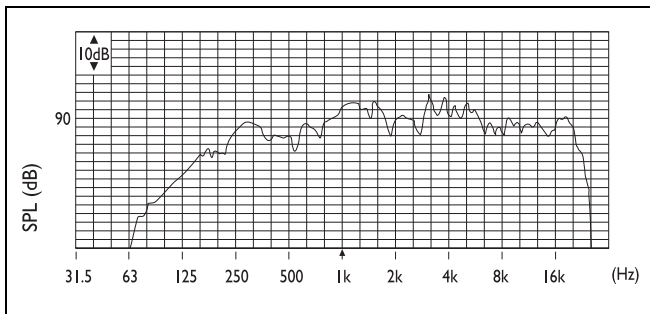
According to EN 60529 IP32  
 -25° / +55°C (-13 / 131°F)  
 -40 / +70°C (-40 / 158°F)  
 <95%



Circuit diagram



Polar diagram (measured with pink noise)



Frequency response